

## AZO standard feeding hopper type ET...P with claw supports

**Intensive dust extraction with generously sized filters**

**Ergonomic bag handling**

**Dust-free bulk materials feeding**

**Reliable vibration bottom discharge**

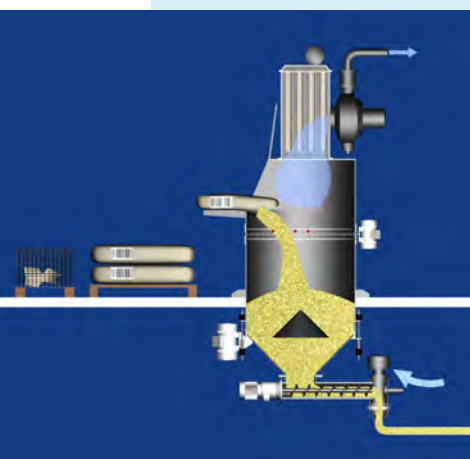
### Preferred applications

Feeding of powdery or granular bulk materials and feeding into closed material handling or pneumatic conveying systems. AZO standard feeding hoppers can be used for foodstuffs, plastics, chemicals and pharmaceuticals with highest requirements, because of the availability of different materials and surface finishes.

### Special advantages

- Round and sturdy
- Without dead corners
- Availability either in epoxy-coated mild steel or in stainless steel with 6 different surface finishes
- Individual filter or central dust extraction by vacuum
- Option of integrated vibration pre-screen
- Discharge of flow-resistant materials can be supported by rapper, vibrator, vibration bottom or by fluidizing
- Outlet optimally adaptable to downstream systems

## THE INNOVATION



### Design

AZO standard feeding hoppers are available in two different material versions- mild steel or stainless steel with six different surface finishes. The feeding hopper is equipped with a tight-closing, lockable cover with vacuum valve, two gas pressure springs for fixing the cover as well as a grid and a bag support. Claw supports are used for erection, which are designed

according to the building situation. The hoppers are available either with mounted filters or with central aspiration. It is possible to integrate a vibration pre-screen for entry control. The hopper outlet is equipped with a flange for downstream systems like rotary feeders, screeners etc. Discharge of flow-resistant products can be supported by using a rapper, vibrator, vibration

bottom or by fluidization. The execution highly depends on customer requirements, material used and situation on site.

## Optional accessories



### Big bag connecting system

For even higher flexibility, the feeding hopper can be equipped with a big bag connecting system. On hoppers with mounted filter, the big bag is connected laterally.



### Lifting table

Bag pickup can be facilitated by using a scissor-type lifting table. The bags are lifted from the pallet to an ergonomically suitable working height.



### Empty-bag compacting system

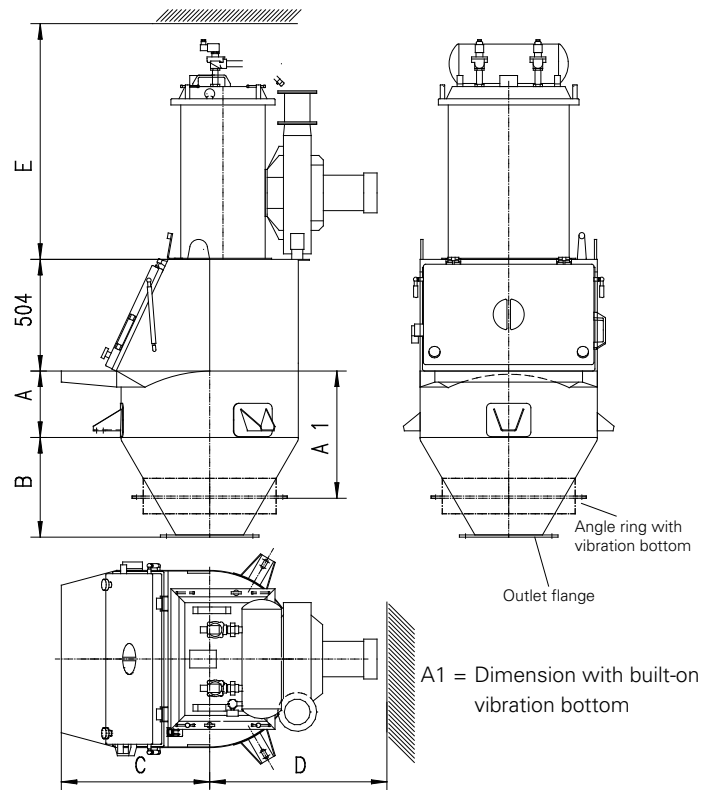
After residue-free emptying, the bags are inserted into a system beside the hopper, where a pneumatic cylinder compresses them into a compact bundle in a sack.



### Discharge with vibration bottom

It is advisable to use a vibration bottom, a vibrator or a rapper for flow-resistant materials.

## Technical data



## How it works

When opening the cover aspiration starts automatically. The bag is placed on the pick-up table, opened and emptied into the closed system by the operator, causing minimal dusting. If a mounted filter is used, the filter dust settles back into the hopper; with a central filter station, small amounts of dust are sucked into the central filter, where they are collected. The concept, which is most economical, is depending on the particular task customer requires.

Type	Ø	A	A1	B with discharge					C	D	E
				Ø 205	Ø 255	Ø 305	Ø 505	Ø 800			
ET 50 P	500	200 200	VB 500	280	235	190	—	—	520	—	—
ET 100 P	500	400 500	VB 500	280	235	190	—	—	520	—	—
ET 150 PF	800	200 200	VB 800	535	495	445	270	—	670	800	1500
ET 250 PF	800	300 400	VB 800	535	495	445	270	—	670	800	1500
ET 350 PF	800	500 600	VB 800	535	495	445	270	—	670	800	1500
ET 500 PF	800	800 900	VB 800	535	495	445	270	—	670	800	1500
ET 350 PF	1100	200 575	VB 800	810	765	725	535	295	822	900	1500
ET 1000 PF	1100	700 1000	VB 1100	810	765	725	535	295	822	900	1500
ET 1000 PF	1100	700 1075	VB 800	—	—	—	—	—	822	900	1500